

SHC INTERNATIONAL

Professional translation and localization

- Documentation
- Mails
- Websites
- Product brochures
- Manufacturing instructions
- Technical specifications
- Financial reports
- Marketing material
- Presentations

www.shcinternational.hu



Cameras, optical imaging systems

Cameras, camcorders, professional cameras, optical imaging systems

References: Canon, Fuji, Nikon

Life sciences

Medical systems, radiography, mammography, clinical testing documents, questionnaires

References: Fuji, PRA, Pfizer, Philips, Gambro



Software, IT localization

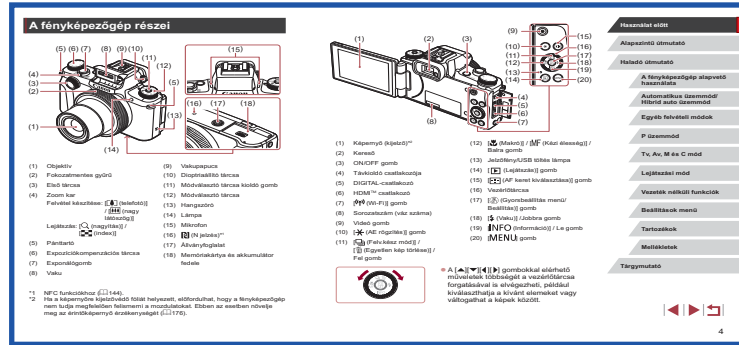
Translation and localization of software, application programs, firmware, help files/pages etc.

References: Microsoft, Apple, Google



We contract **experienced translators** who are aware of the client's requirements, are experts and have extensive experience in their fields. We employ in-country, native translators with the matching university degree.

We utilize the latest assist technologies for our work, including **voice recognition-based dictation software**, developed in-house.



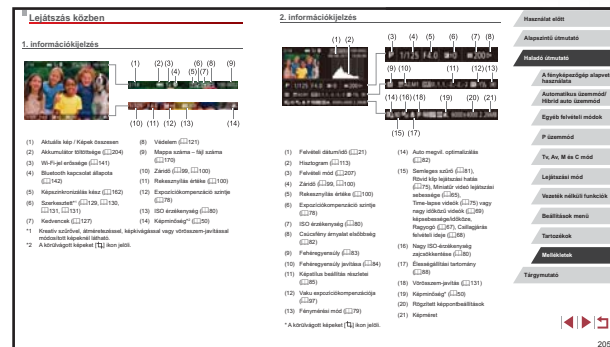
Our services include:

- Translation
- Revision, proofreading, editing
- Localization
- MT post-editing
- Backtranslation
- Transcreation, copywriting
- Desktop publishing
- Terminology creation, management
- Document alignment
- Graphics text



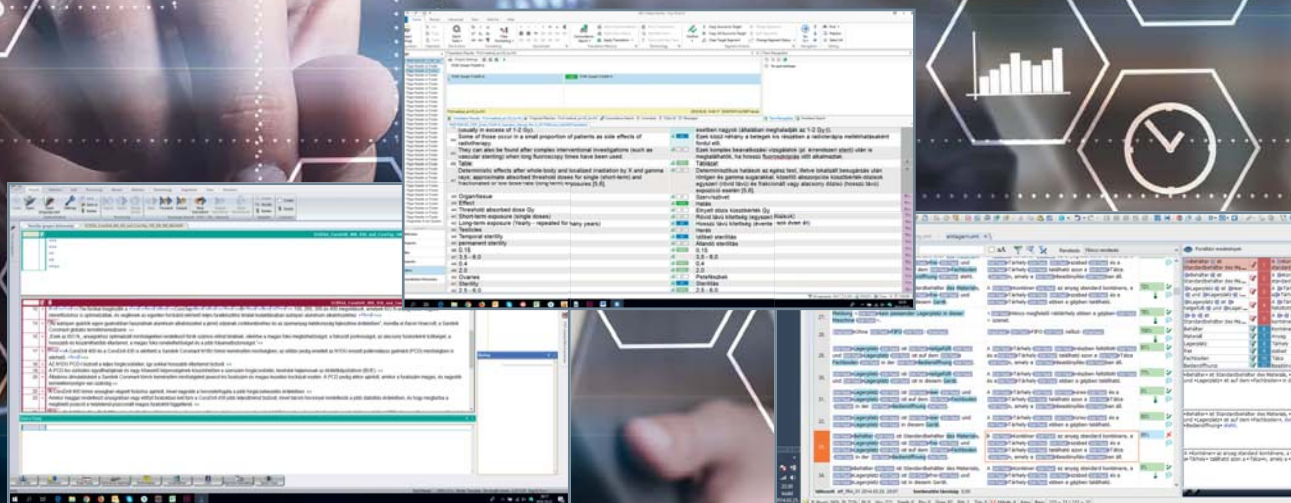
Handling PDF documents

Handling PDF documents is special task. If your brochure is only available in PDF format, we can help. We can edit the PDF document, we can extract the text and the images and reconstruct the whole document for translation and subsequent printing.



TRANSLATE

For optimal efficiency and quality, we use the latest Computer Aided Translation (CAT) tools, including: MemoQ, SDL Trados Studio, Memsource, Across, Star Transit, SDL Passolo, Tstream Editor, Translation Workspace
If you have a preference or a customized tool, we can adapt.



Contact:

office@shcinternational.hu
SHC INTERNATIONAL
Hegyalja u. 45.
H-2040 Budaörs
Hungary
www.shcinternational.hu